

FCV-620

ECHO SOUNDER



- Newly employed digital filter can achieve thorough detection in both shallow and deep water
- Two types of Auto Mode available: Cruising and Fishing
- Fast pulse transmission rate to achieve outstanding shallow water echo presentation
- Dual frequency 50/200 kHz
- High output power of 600 W
- TLL output for an interfaced GPS plotter display
- 5.6" sunlight viewable bright 256 color LCD with a wide viewing angle
- 8/16/64 color echo presentation for subtle echo images
- Customized NAV data display when interfaced with appropriate sensors
- New design that allows the display unit to swivel around when table-top mounted
- Easy to flush mount
- Easy to operate by two rotary knobs for gain control and mode changes



The future today with FURUNO's electronics technology.

FURUNO ELECTRIC CO., LTD.

9-52 Ashihara-cho, Nishinomiya City, Japan Phone: +81 (0)798 65-2111
Fax: +81 (0)798 65-4200, 66-4622 URL: www.furuno.co.jp

Catalogue No. NPG-E56

TRADE MARK REGISTERED
MARCA REGISTRADA

SPECIFICATIONS OF FCV-620

FURUNO®

GENERAL

Frequency 50 and 200 kHz
Output Power 600 W

DISPLAY

Display Type 5.6" color LCD
Effective Display Area 84.7 (W) x 113.3 (H) mm
Pixel Number 240 x 320
Display Mode Single frequency (high/low freq.), Dual-frequency, Zoom, Nav data-1/2, A-scope, Marker zoom, Bottom zoom, Bottom-lock

Basic Range

2-800 m
*m, ft, fa, p/b is selectable in the menu
up to 800 m

Range Phasing

Expansion Range 2-800 m (Sectional expansion)
3-10 m (Bottom-lock expansion)

Picture Advance Speed

8 steps: stop, 1/16, 1/8, 1/4, 1/2, 1/1, 2/1, 4/1

Pulselength & PRR

Interface 0.1-3 ms, Max 2,000 pulse/min
RMA, RMB, RMC, BWC, GLL, GGA, MWV, VTG, VHW, MTW, XTE, MDA, HDT, ZDA
RMA*, RMB*, RMC*, BWC*, GLL*, GGA*, MWV*, VTG*, VHW*, MTW*, XTE*, MDA*, HDT*, DBT, DPT, MTW**, VHW**, TLL

(IEC61162, NMEA0183)

*: GPS sensor required; **: Speed/temperature sensor is required.

ENVIRONMENT

Temperature -15°C to +50°C
Waterproofing IEC IP55

POWER SUPPLY

12-24 VDC: 1-0.5 A

EQUIPMENT LIST

Standard

1. Display Unit FCV-620 1 unit
2. Installation Materials and Standard Spare Parts 1 set

Option

1. Speed/Temperature Sensor
ST-02MSB (Thru-hull, bronze), ST-02PSB (Thru-hull, plastic), T-02MTB (Transom, bronze), T-02MSB (Thru-hull, bronze), T-03MSB (Thru-hull, bronze)
2. Connector Kit for Connection of Speed & Temperature Sensor or Temperature Sensor
3. NMEA Cable MJ-A15A7F0004-005 (0.5 m), MJ-A15A7F0005-020 (2 m)

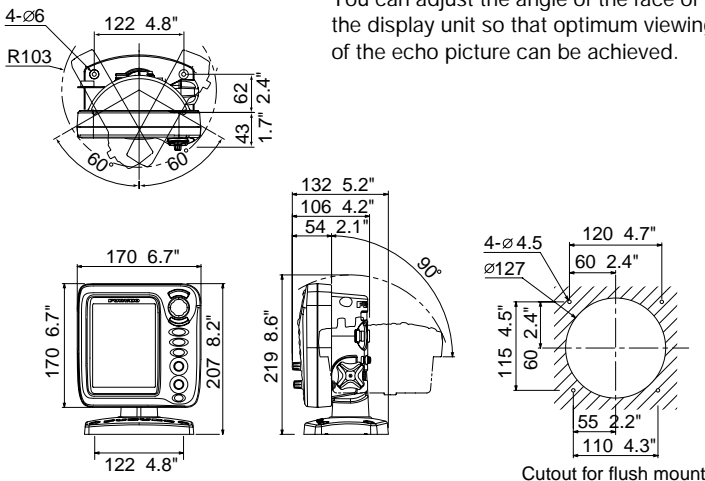
Transducers (Specify when ordering)

600 W
520-5PSD (Plastic thru-hull), 520-5MSD (Bronze thru-hull), 525-5PWD (Plastic transom), 525ST-MSD (Bronze thru-hull with a speed/temp sensor), 5255ST-PWD (Plastic transom with a speed/temp sensor)

DISPLAY UNIT

Bracket Mount 1.2 kg 2.7 lb
Flush Mount 0.8 kg 1.8 lb

The FCV-620 employs the new design concept that allows the display unit to swivel around when desktop-mounted. You can adjust the angle of the face of the display unit so that optimum viewing of the echo picture can be achieved.



The FURUNO FCV-620 is a high performance, dual-frequency color digital echo sounder (50 and 200 kHz) with high transmission output power of 600 Watts. It has been designed for small fishing and recreational boats. FURUNO's 50 years of proven marine electronics technologies are concentrated into its compact waterproof unit.

One of the main features of the FCV-620 is the digital filter, which helps adjust gain, STC and output power. Also, it suppresses main bang (echoes just below transducer). This employment of the new technology facilitates outstanding detection both in shallow and deep water.

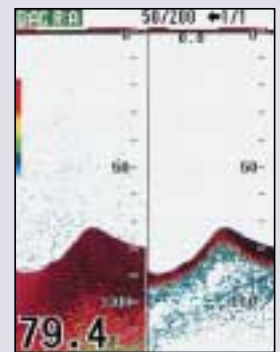
There are four basic operational modes: Single-Frequency (50 or 200 kHz), Dual-Frequency, Zoom (Marker Zoom/Bottom Zoom/Bottom-Lock) and NAV data. For operation simplicity, an Auto mode is also provided. There are two types of Auto Mode available: Cruising and Fishing. Fully utilizing the digital filtering technology finest echo picture for different purposes can constantly be obtained.

When networked with a GPS sensor and speed sensor, the own ship position and own ship's speed can be confirmed on the screen. TLL of the favorite fishing spot can be registered to the networked GPS plotter for the next fishing trip.

The FCV-620 employs a 5.6" color LCD (TFT) screen for vivid display and wide viewing angle. Its new unit design concept allows the display unit to swivel around when desktop mounted. Also, a quick release bracket makes flush mount installation quick and simple.

Digital Filter Technology

The FCV-620 employs new digital filter technology to adjust gain, STC and output power as well as to reduce noise occurred just below the transducer. This new technology enhances the detection capability in both shallow and deep water.



INTERCONNECTION DIAGRAM



FURUNO U.S.A., INC.

Camas, Washington, U.S.A.
Phone: +1 360-834-9300
Fax: +1 360-834-9400

FURUNO (UK) LIMITED

Denmead, Hampshire, U.K.
Phone: +44 2392-230303
Fax: +44 2392-230101

FURUNO FRANCE S.A.

Bordeaux-Mérignac, France
Phone: +33 5 56 13 48 00
Fax: +33 5 56 13 48 01

FURUNO ESPAÑA S.A.

Madrid, Spain
Phone: +34 91-725-90-88
Fax: +34 91-725-98-97

FURUNO DANMARK AS

Hvidovre, Denmark
Phone: +45 36 77 45 00
Fax: +45 36 77 45 01

FURUNO NORGE A/S

Ålesund, Norway
Phone: +47 70 102950
Fax: +47 70 127021

FURUNO SVERIGE AB

Västra Frölunda, Sweden
Phone: +46 31-7098940
Fax: +46 31-497093

FURUNO FINLAND OY

Espoo, Finland
Phone: +358 9 4355 670
Fax: +358 9 4355 6710

FURUNO POLSKA Sp. z o.o.

Gdynia, Poland
Phone: +48 58 669 02 20
Fax: +48 58 669 02 21

FURUNO DEUTSCHLAND GmbH

Rellingen, Germany
Phone: +49 4101 838 0
Fax: +49 4101 838 111

LLC FURUNO EURUS

Petersburg, Russia
Phone: +7 812 767 15 92
Fax: +7 812 766 55 52

PRINTED WITH SOY INK 05101U Printed in Japan

